

NOTE: EX50X25 BATTENS CAN BE SUBSTITUTED WITH EX50X50 WHERE APPROPRIATE

NOTE: BGC SUBSTRATE TO BE FIXED IN STRICT ACCORDANCE WITH MANUFACTURER RECOMMENDATIONS AND LITERATURE

ATTENTION BUILDING CONSENT AUTHORITIES: ALL PROJECTS MUST BE REGISTERED AT BUILDING CONSENT STAGE BY PHONE (0800 353 672) OR E-MAIL (info@hardasrocks.co.nz) IN ORDER FOR LICENSED APPLICATORS TO TRACK AND PRODUCER STATEMENT TO BE ISSUED UPON COMPLETION AS PER SPECIFICATION MANUAL

4e

ROOF ABUTMENT DETAIL METAL TILE ROOFING

SCALE

NTS

DATE

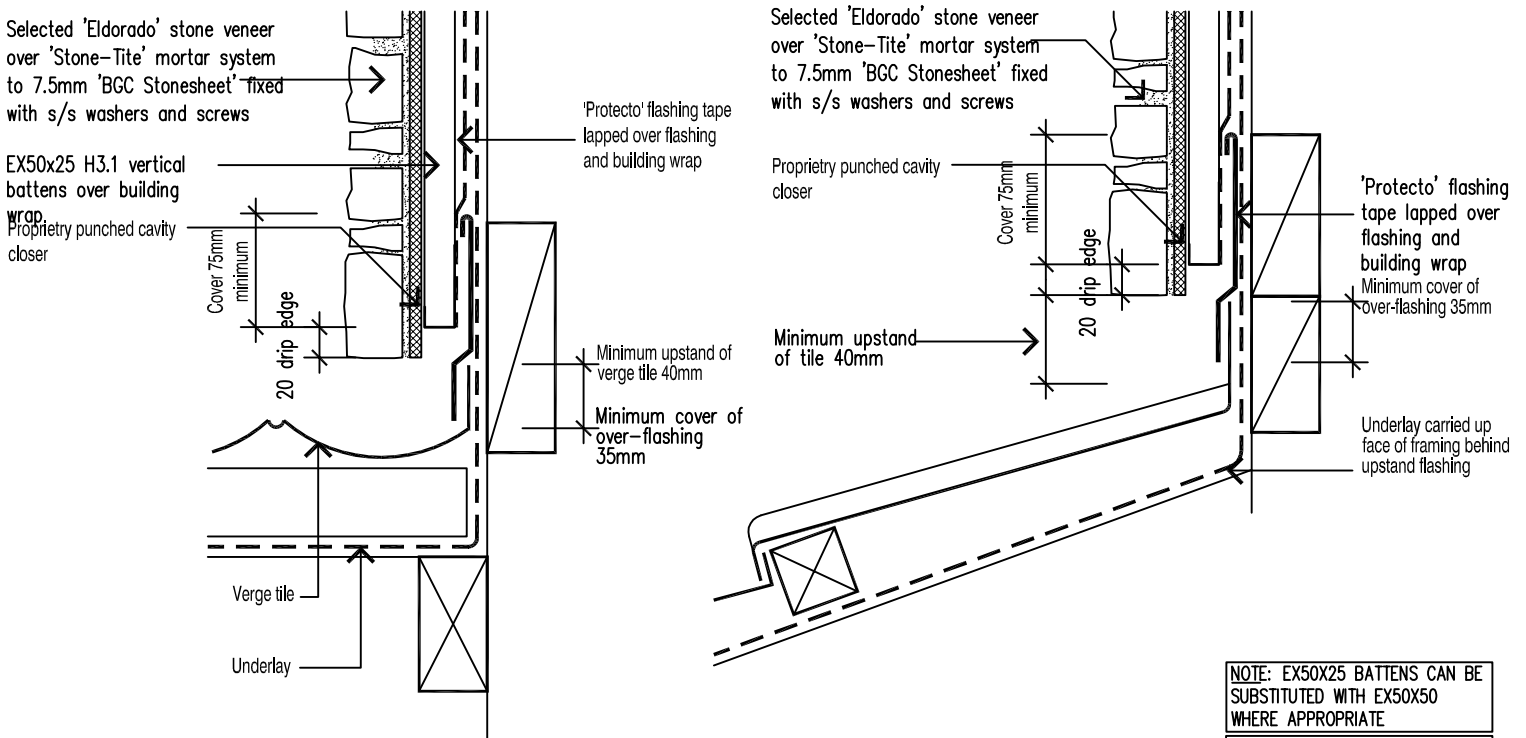
23 Apr 2009

Hard As Rocks
0800 353672

**PREFERRED
DETAIL**

© 2009 HARD AS ROCKS

HARD AS ROCKS SUGGESTED DETAIL ONLY - DETAILS TO BE APPROVED BY LOCAL AUTHORITY & COMPLY WITH NZBC WHERE RELEVANT



NOTE: EX50X25 BATTENS CAN BE SUBSTITUTED WITH EX50X50 WHERE APPROPRIATE

NOTE: BGC SUBSTRATE TO BE FIXED IN STRICT ACCORDANCE WITH MANUFACTURER RECOMMENDATIONS AND LITERATURE

ATTENTION BUILDING CONSENT AUTHORITIES: ALL PROJECTS MUST BE REGISTERED AT BUILDING CONSENT STAGE BY PHONE (0800 353 672) OR E-MAIL (info@hardasrocks.co.nz) IN ORDER FOR LICENSED APPLICATORS TO TRACK AND PRODUCER STATEMENT TO BE ISSUED UPON COMPLETION AS PER SPECIFICATION MANUAL

4f

ROOF ABUTMENT DETAILS METAL TILE ROOFING

SCALE

NTS

DATE

23 Apr 2009

Hard As Rocks
0800 353672

**PREFERRED
DETAIL**

© 2009 HARD AS ROCKS

HARD AS ROCKS SUGGESTED DETAIL ONLY - DETAILS TO BE APPROVED BY LOCAL AUTHORITY & COMPLY WITH NZBC WHERE RELEVANT